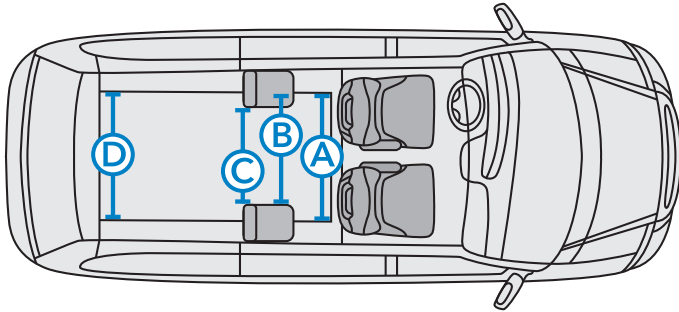


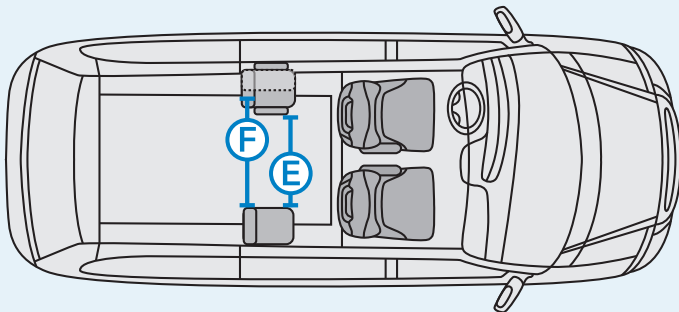
Rear Entry Conversion Optional Seating Measurements



16" FIXED SEAT OPTION MEASUREMENTS		
A	Interior Channel Width (1)	34.5"
B	Floor Width (1) Mid-row Seat - Standard Fixed Passenger Side	30"
C	Floor Width (2) Mid-row Seats - Optional Driver Side + Standard	19.5"
D	Interior Channel Width (2)	34.5"

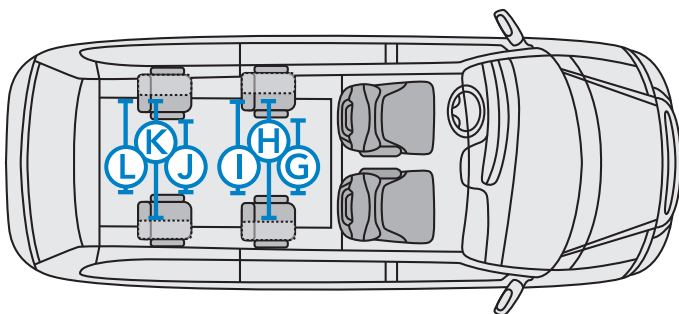
Payload: Standard (1) fixed seat = 1,325 lbs

Payload: Optional (2) fixed seats = 1,290 lbs



16" FIXED + 17.5" SWIVEL SEAT OPTION MEASUREMENTS		
E	Floor Width (2) Mid-row Seats - Standard Fixed + Swivel Seat (<i>Down</i>)	17.5"
F	Floor Width (2) Mid-row Seats - Standard Fixed + Swivel Seat (<i>Up</i>)	28"

Payload: (1) fixed seat + (1) Optional Swivel seat = 1,270 lbs



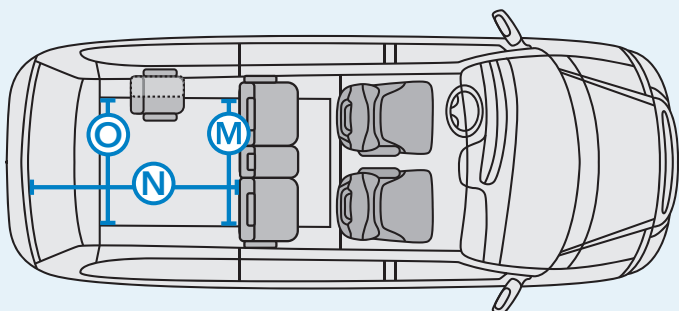
17.5" SWIVEL SEAT OPTION MEASUREMENTS		
G	Floor Width (2) Mid-row Seats - Swivel Seat (<i>Down</i>) + Swivel Seat (<i>Down</i>)	16"
H	Floor Width (2) Mid-row Seats - Swivel Seat (<i>Up</i>) + Swivel Seat (<i>Up</i>)	30"
H	Floor Width (1) Mid-row Seat - Swivel Seat (<i>Up</i>)	33"
I	Floor Width (2) Mid-row Seats - Swivel Seat (<i>Up</i>) + Swivel Seat (<i>Down</i>)	22.7"
I	Floor Width (1) Mid-row Seat - Swivel Seat (<i>Down</i>)	26"
J	Floor Width (2) 3rd-row Seats - Swivel Seat (<i>Down</i>) + Swivel Seat (<i>Down</i>)	13"
K	Floor Width (2) 3rd-row Seats - Swivel Seat (<i>Up</i>) + Swivel Seat (<i>Up</i>)	27.3"
K	Floor Width (1) 3rd-row Seat - Swivel Seat (<i>Up</i>)	30.8"
L	Floor Width (2) 3rd-row Seats - Swivel Seat (<i>Up</i>) + Swivel Seat (<i>Down</i>)	19.9"
L	Floor Width (1) 3rd-row Seat - Swivel Seat (<i>Down</i>)	23.5"

Payload: Optional (1) Swivel seat = 1,235 lbs

Payload: Optional (2) Swivel seats = 1,155 lbs

Payload: Optional (3) Swivel seats = 1,100 lbs

Payload: Optional (4) Swivel seats = 1,045 lbs



OEM MID ROW SEAT + SWIVEL SEAT OPTION MEASUREMENTS		
M	Interior Channel Width (1)	35"
N	Mobility Area Floor Length	56"
O	Interior Channel Width (2)	34.5"

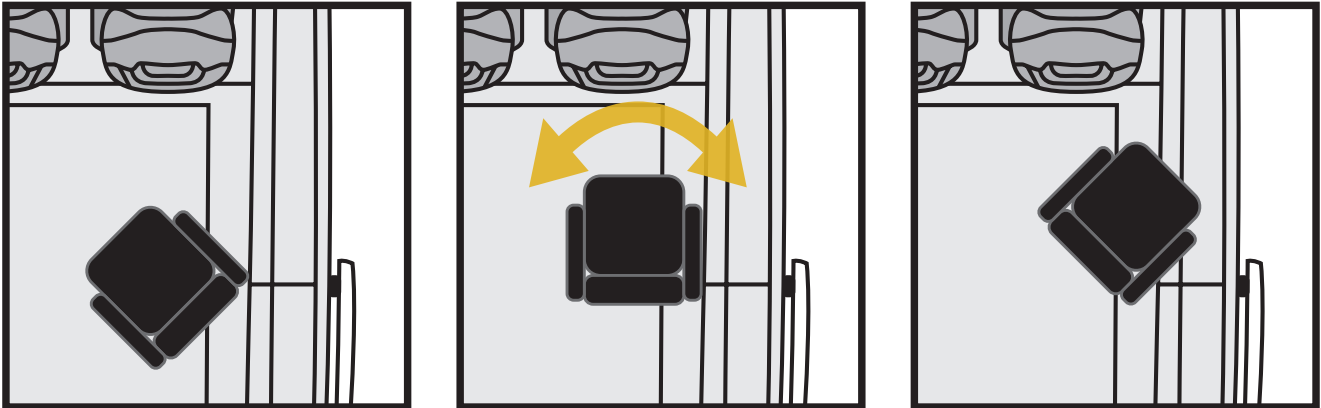
Payload: OEM Mid-row seat = 1,090 lbs

Payload: OEM Mid-row seat + (1) 3rd-row Swivel seat = 945 lbs

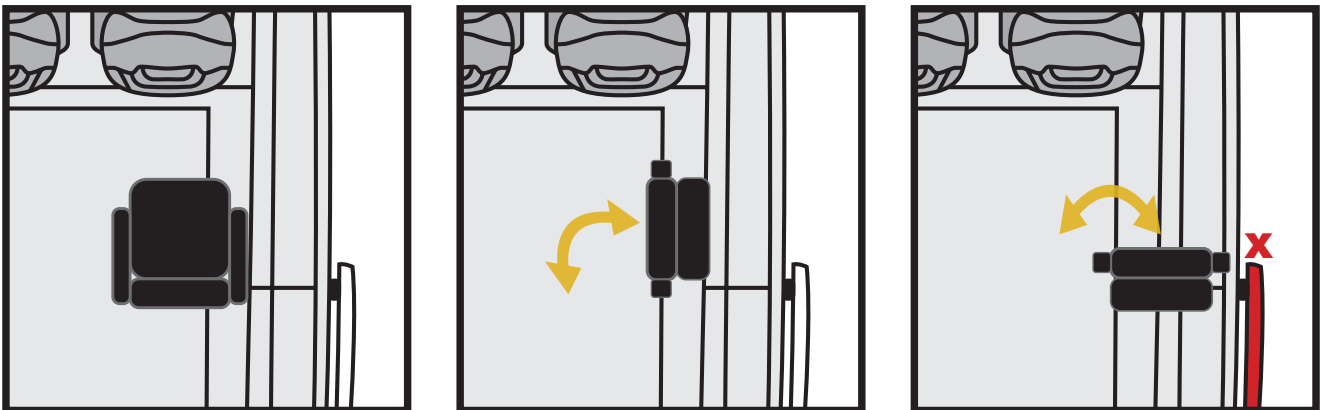
- OEM Mid-row seat retains full OEM functionality* and allows for a payload capacity for (1) 3rd-row Swivel seat.
- 3rd-row swivel seats cannot be installed on the driver-side OEM spare tire location when equipped. The spare tire is an OEM option and is not added or modified by Vantage Mobility.

Swivel Seats - Go Left & Right for Ease of Use

With a ¾-swivel left or right, Swivel seats help users enter and exit the vehicle with greater ease and confidence.



Swivel Seat - 3 Locked Positions of Use



Position 1

Seat is folded down and locked for travel. Fold seat upright, unlock and swivel to position 2.

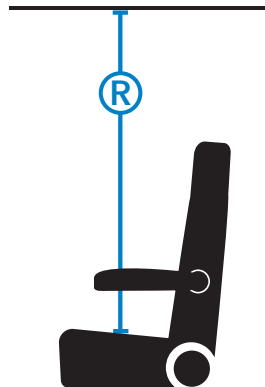
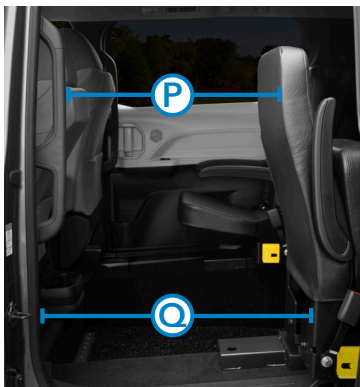
Position 2

Seat is locked, in folded and upright position, swiveled clear of the mobility area maximizing interior space when not in use.

Position 3**

Maintain folded and upright position, swivel once more outward to create maximum exterior-to-interior access.

** Sliding Door Cannot Close in Position 3



Exterior & Interior Access Space

Position 3 moves the seat out of the way, providing extra room for easier access to tie-downs, docking systems or passengers.

17.5" SWIVEL SEAT POSITION 3 MEASUREMENTS		
P	Mid-Side Door Access Space Width (1)	20"
Q	Mid-Side Door Access Space Width (2)	26"
R	Mid-row Seats Bottom to Headliner	39"
R	3rd-row Swivel seat Bottom to Headliner	35"

* Patent pending. ** Sliding door cannot close when Swivel seat seat is in Position 3. Ramp capacity meets or exceeds ADA CFR Title 49 Subtitle A part 38 Subpart B requirements. Vantage Mobility engineering recommends the ramp load capacity to not exceed 1000lbs for normal use. Optional 3rd-row seats cannot be installed with a spare tire present Seating options may vary. Specifications apply to Vantage Mobility 2026 Toyota Sienna Hybrid FWD vehicles with a Rear Entry conversion. Measurements may vary based on vehicle trim levels and environmental factors. To ensure best vehicle fit, please visit with your local dealer to confirm vehicle measurements prior to purchase. All information is subject to change without notice. © 2026 Vantage Mobility, LLC. All rights reserved.